

# eurow-flow

## FLOW SOLUTION PROVIDER

- INDUSTRIAL VALVES (DIN-ANSI)
- ENGINEERED VALVES
- PROTECTION EQUIPMENT
- PIPELINE & TANK EQUIPMENT
- AUTOMATION

STOCK PARTNER

SERVICE PARTNER



# INDUSTRIAL VALVES

## Types, Size, Pressure, Materials

### ON-OFF (DIN & ANSI)

- Gate, Globe, Check
- Bottom valves
- Plug Valves
- Ball Valves
- Butterfly valves
- ...

**Size** : 1/4 up to 36"  
: DN 15 - DN 500



**Pressure** : 150 up to 2500 Lbs  
: PN10 to PN160

**Materials** : A105/A350LF2/A216WCB/..  
WC6/WC9/C5/C12/...



# ENGINEERED VALVES

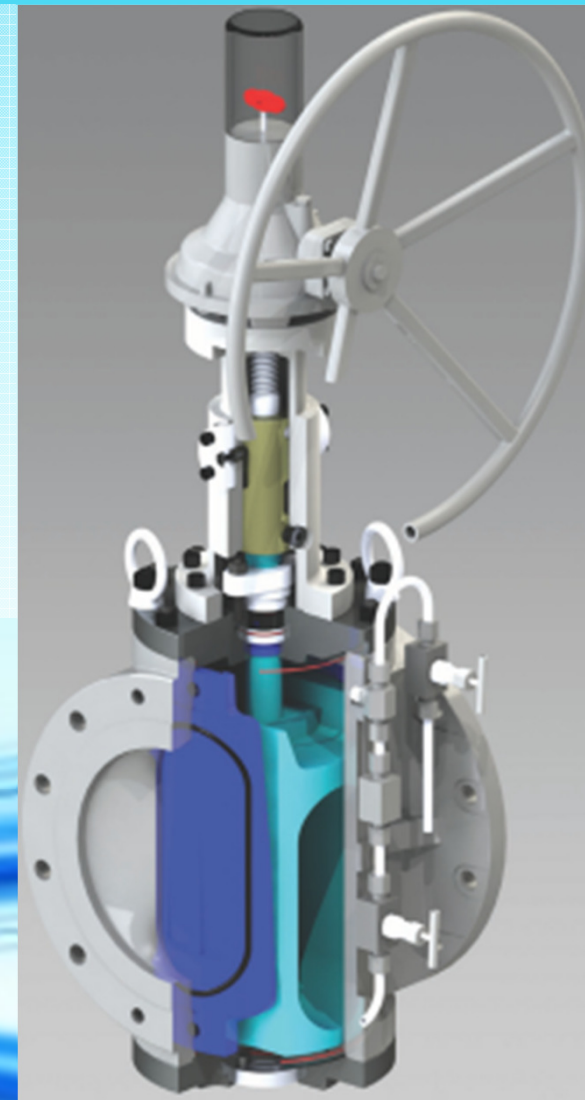


**Double expanding plug valve  
(Reduced & Full Bore)**

**Size : 1" up to 42"  
: DN 25 - DN 1000**

**Pressure : 150 up to 2500 Lbs  
: PN10 to PN160**

**Materials : A105/A350LF2/A216WCB/..  
WC6/WC9/C5/C12/...**



# ENGINEERED VALVES



## Rising stem Ball Valve

**Size** : 1" up to 36"  
: DN 25 - DN 900

**Pressure** : 150 up to 2500 Lbs  
: PN10 to PN160

**Materials** : **A105/A350LF2**  
A216WCB/..  
WC6/WC9/  
C5/C12/...

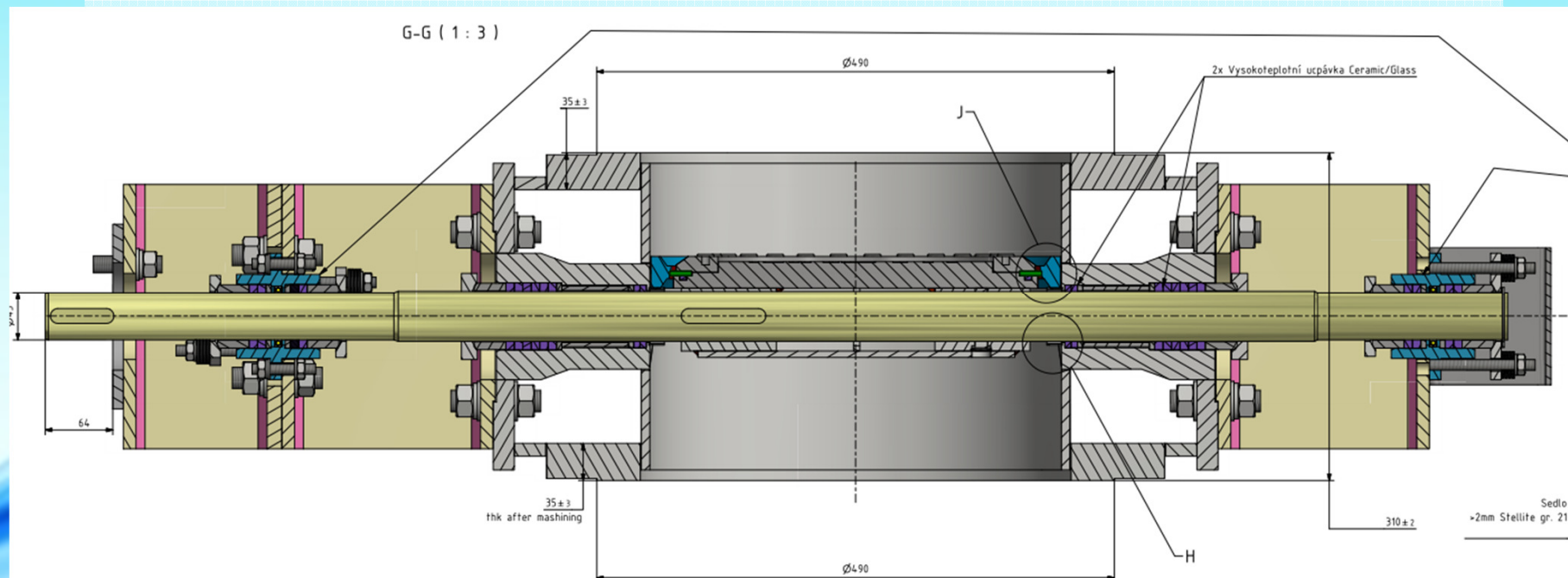
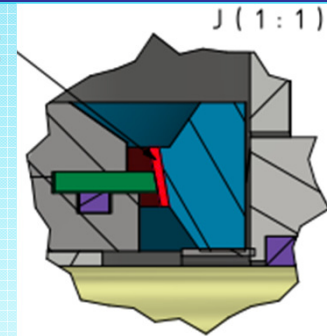


# ENGINEERED VALVES

# MPR®

**Quadra eccentric butterfly valve - metal to metal seat**

**Size** : 2,5" up to 100" / DN 65 - DN 2500  
**Pressure** : 150 up to 900 Lbs / PN10 to PN160  
**Materials** : from carbon steel to special alloy



# ENGINEERED VALVES



## Lift & Turn Plug Valve INNO-CON®

**Size** : 1" up to 20"  
: DN 25 - DN 500  
: Reduced & Full Bore

**Pressure** : 150 up to 1500 Lbs  
: PN10 to PN160

**Materials** : Cast & forged possible

1

1. Step / Schritt:  
Turn handwheel left, plug  
lifts off the seats  
*Linksdrehung am Handrad,  
Anheben des Kükens aus  
dem Sitz*



2

2. Step / Schritt:  
Turn lever 90°, plug turns 90°  
*90°-Drehung am Hebel,  
Kükendrehung um 90°*



3

3. Step / Schritt:  
Turn handwheel right,  
plug reseats  
*Rechtsdrehung am Handrad,  
Absenken des Kükens in  
den Sitz*



# PROTECTION EQUIPMENT

## Types, Size, Pressure, Materials

### SAFETY VALVES

- **Pressure relief**
- **Thermal relief**
- **Pressure sustaining**
- **Vacuum and tank relief**
- **Assisted pressure relief**
- **Change-over valve**



# PROTECTION EQUIPMENT

## Types, Size, Pressure, Materials



### FLAME ARRESTORS

- End of line arrestors
- Endurance Burning
- Inline Deflagration
- Inline Detonation
- Liquid Product EOL detonation
- Liquid Product Inline detonation

End of Line  
Flame Arrestors



Flame Arrester  
Endurance Burning



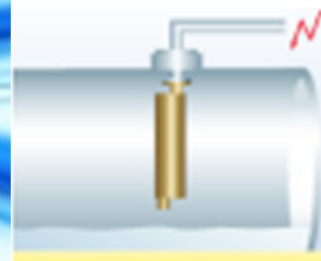
Inline Deflagration  
Flame Arrestors



Inline Detonation  
Flame Arrestors



Liquid Product  
End of Line  
Detonation  
Flame Arrestors



Liquid Product  
Inline  
Detonation  
Flame Arrestors





# PIPELINE & TANK EQUIPMENT



## KEMPE

- Quick opening closures

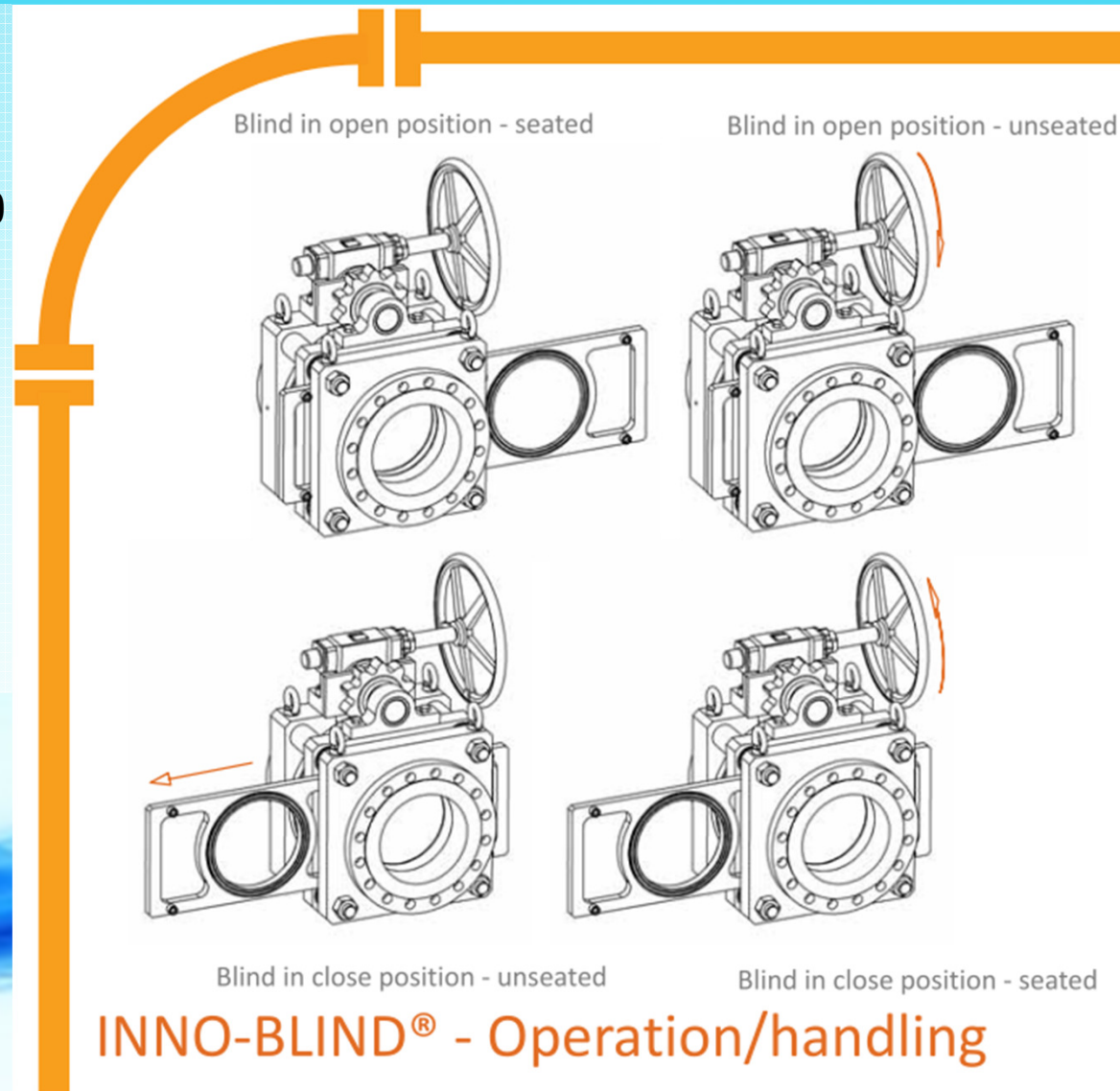


# PIPELINE & TANK EQUIPMENT



## MIAM - Armaturen

- **Line Blinds**
- **1" > 36"**
- **> Class 2500**



# TANK EQUIPMENT - BLANKETING

Zimmerli Mess Technik AG

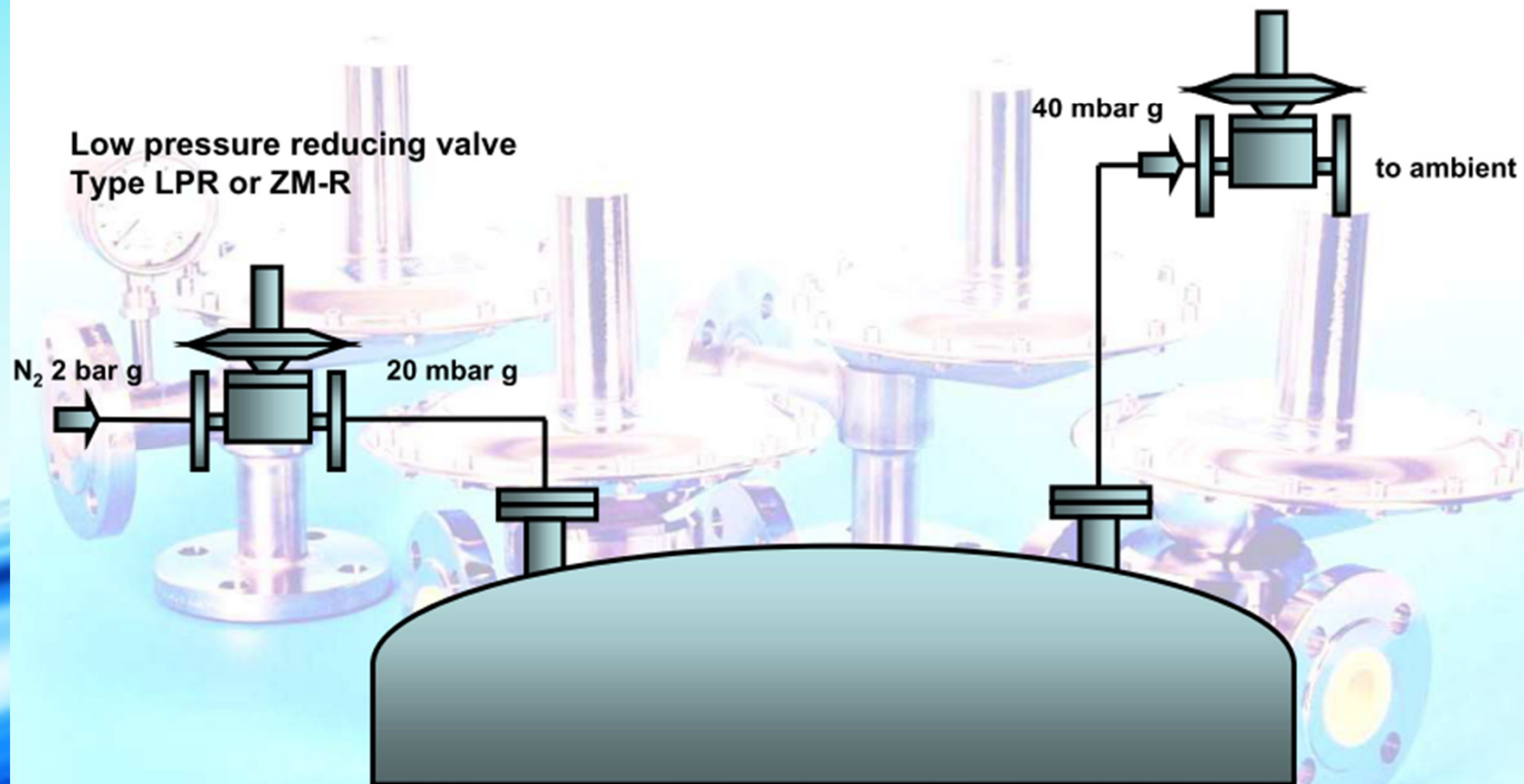


## Principle of Inertization / Blanketing

Standard Pressure Service

Back pressure relief valve  
Type LPS or ZM-B

Low pressure reducing valve  
Type LPR or ZM-R



# AUTOMATION

## Pneumatic actuators & steering cabinets

- **Rack & Pinion**
- **Scotch Yoke**
- **Taylor made steering cabinets**



# AUTOMATION

## Gas over oil actuators

### Standard Accessories

- Emergency hand-Pump
- Hydraulic filter & speed Control
- Torque limits
- Local Control
- Gas over Oil tank
- Scotch Yoke Mechanism
- Hydraulic Cylinder
- Gas Filter

### Optional

- Diff. Pressure Switch
- Spare Gas Tank
- Line Break System
- ESD
- ...



# AUTOMATION

## Electric actuators

# SCHIEBEL

- **Multiturn/Quarter Turn**  
For on-off (S2) and modulating control (S4)  
ATEX compliant, explosion-proof actuators  
Voltages from 24 V DC to 690 V AC 3~  
As multiturn actuators up to 5,000 Nm, with gearboxes: up to 43,000 Nm  
As part-turn actuators up to 300,000 Nm  
As linear act. up to 400 kN and 500 mm stroke  
Positioning times from 3 seconds or 40 mm/sec  
SIL3
- **Fail Safe actuators**  
For on-off (S2) and modulating control (S4)  
ATEX compliant, explosion-proof actuators  
Voltages from 24 V DC to 400 V AC 3~  
As part-turn actuators up to 32.000Nm  
As linear act. up to 190 kN with 230mm stroke  
Adjustable speed/time  
SIL 3



# STOCK PARTNERSHIP

Thermador International have pleasure in confirming that Euro-Flow, registered company at 2900 Schoten, Belgium are distributor for Thermador products for Belgium.

Best regards.

**Peter Konincks**

*Area Manager Belgium, Netherlands*



# SERVICE PARTNERSHIP

**“Friends for years combining our knowledge”**

**Repair & service on-site**

**Pressure testing**

**Valves assembly**

**Modification**



**Met vriendelijke groet / Best regards / Sincères salutations.**

**Marc Lennertz**

*Managing Director GMSI*

**G M S I**

**General Maintenance Service International**

[info@gmsi.be](mailto:info@gmsi.be)

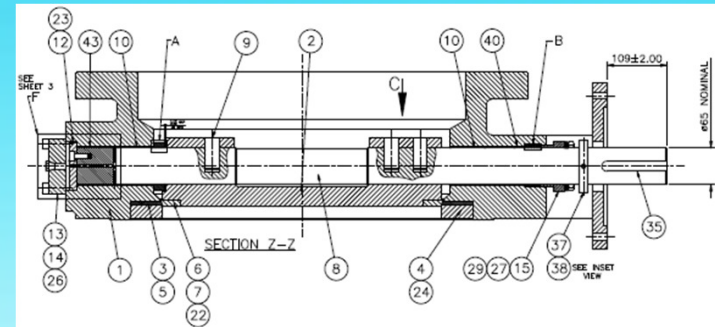
**+32 (0)84 21 23 44**



# Reference: Borealis



Application: Wast boiler heat exchanger,  
high cycling valves  
guarantee: **1 Mio cycles**  
Material: Duplex  
Sizes: 24"  
Class: 300



**Due to high cycling request we supplied  
Triple offset butterfly valves**

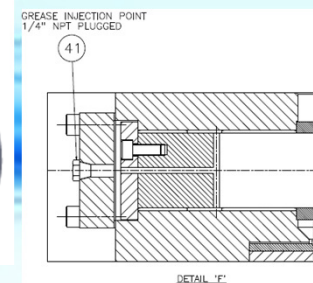
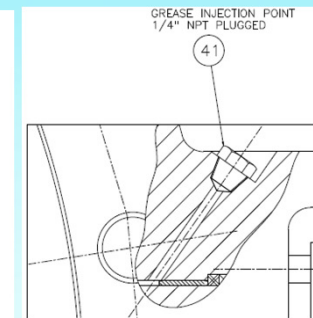
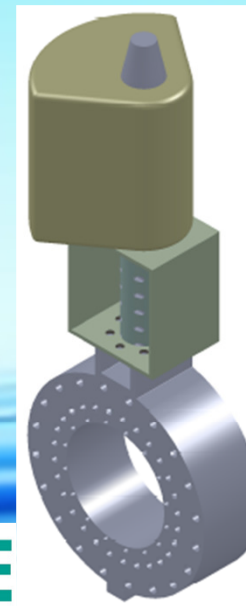
**Modification of std. valves for grease injection**

**24" Triple Offset Butterfly valve**

**+ no-play coupling & bracket**

**+ automatic greasing system**

**+ pneumatic steering cabinet**



# Reference: Borealis



Application: Boiler feed Water  
Design: 255°C @81,5 barg  
Sizes: 4" RF  
Class: 600

**Rising stem ball valve  
metal to metal**

**Operator: Pneumatic actuator,  
Fail Close with manual override.**



*euro-flow*

# Reference: Fluxys

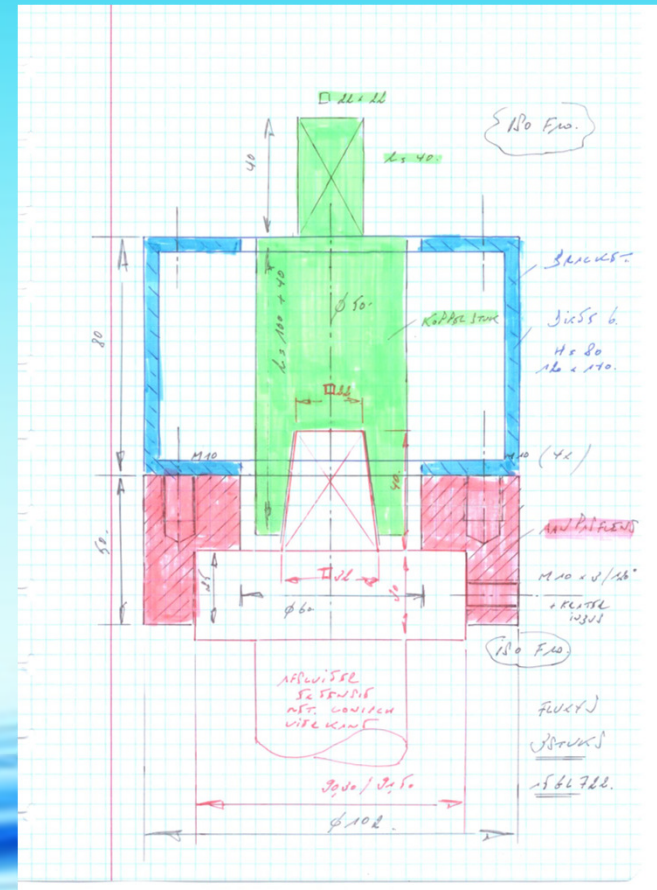


Project: Automatisations valves  
Application: Natural Gas, - 46°C Design  
Material: SS 316  
Sizes: 3"  
Types: Pneu. Act. spring close  
Class: 600

**Taylor Made coupling and bracket to fit with underground installed valves.**

**Spring return pneumatic actuator**

**+ steering panel**



# Reference: Fluxys



Project: Position indication  
Application: Natural Gas  
Several sizes/class

**Issue: no ISO platform on valves**

**Design of clamp bracket,  
new coupling and lever for switchbox  
mounting with locking devices**

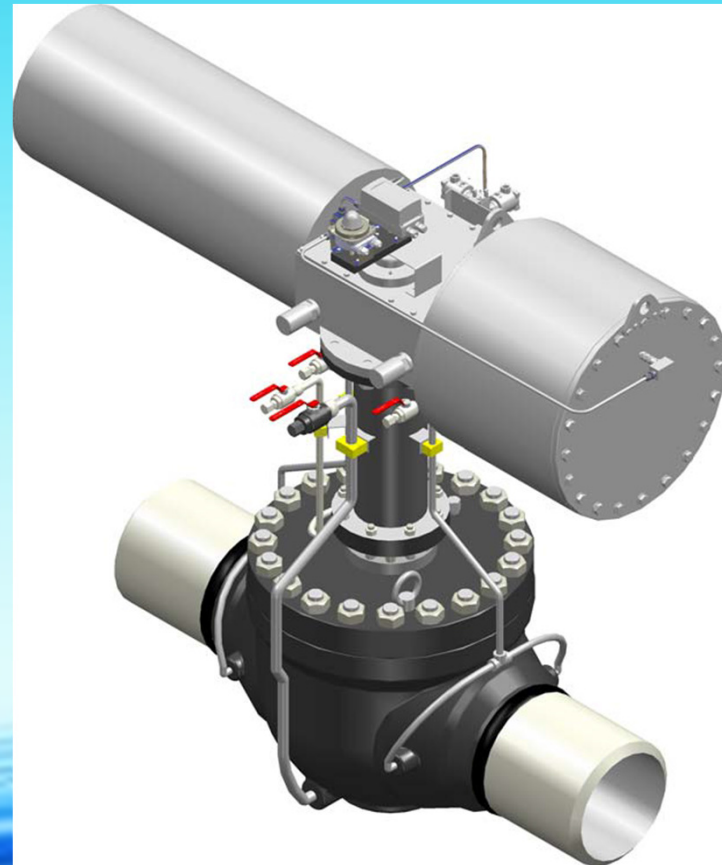


*euro-flow*

# Reference: GGS



Project: China Petrol Cy Taiwan  
Application: Natural Gas, - 46°C Design  
Material: LCC/CF8M Trim  
Sizes: 16"  
Types: Top Entry Ball Valves  
Class: 900



**Top Entry Ball Valve with pipe pups**

**with extension**

**+ spring return pneumatic actuator**

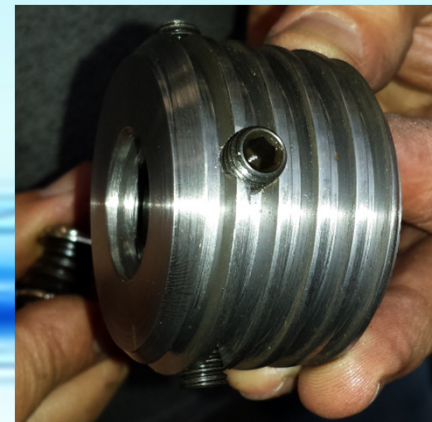
**+ steering panel**

*euro-flow*

# Reference: Electrabel Amercoeur

**Electrabel**  
GDF SUEZ

Project: Power station Amercoeur  
Application: Inverse rotation sense  
Replace old Babcock valves by Persta  
Left turn > Right turn  
Product: steam & condensate  
Material: C12  
Size: 2"/DN50 up to 12"/DN300  
Types: Parrallel slide Gate & Globe Valves  
Class/PN: CI150/PN16 – CI2500



*euro-flow*

# Reference: Total Refinery Antwerp



Application: Fail safe protection main  
refractionator

Material: A217 C5

Sizes: 16"

Class: 300

**Initial demand was for Gate Valve with fail safe  
pneumatic actuator.**

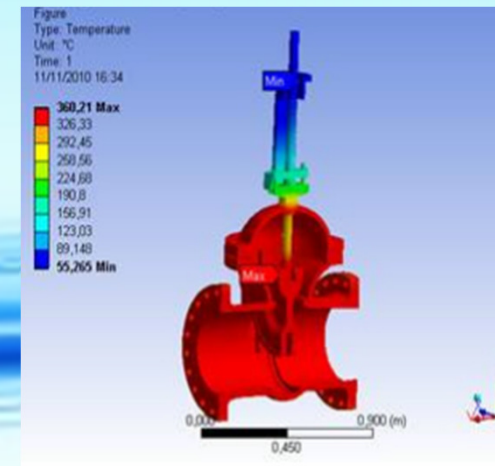
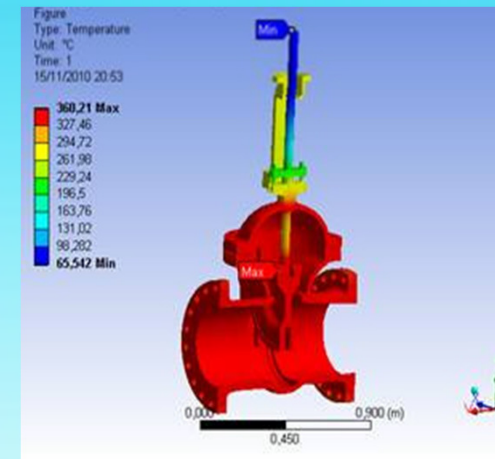
**Analyse off process conditions by heat simulation**

**Supplied units: 2 x 16" Gate Valve, Class 300**

**multi-turn pneumatic actuator**

**Taylor made fire jacket**

**design off back-up high pressure  
nitrogen bottle rack**



*euro-flow*

## Reference: Lanxess

**LANXESS**  
Energizing Chemistry

Application: Ethylene, - 110°C  
Material: CF8M  
Sizes: 2 to 12"  
Types: Cryogenic Gate & Globe Valves  
Class: 300

### Several Cryogenic Valves



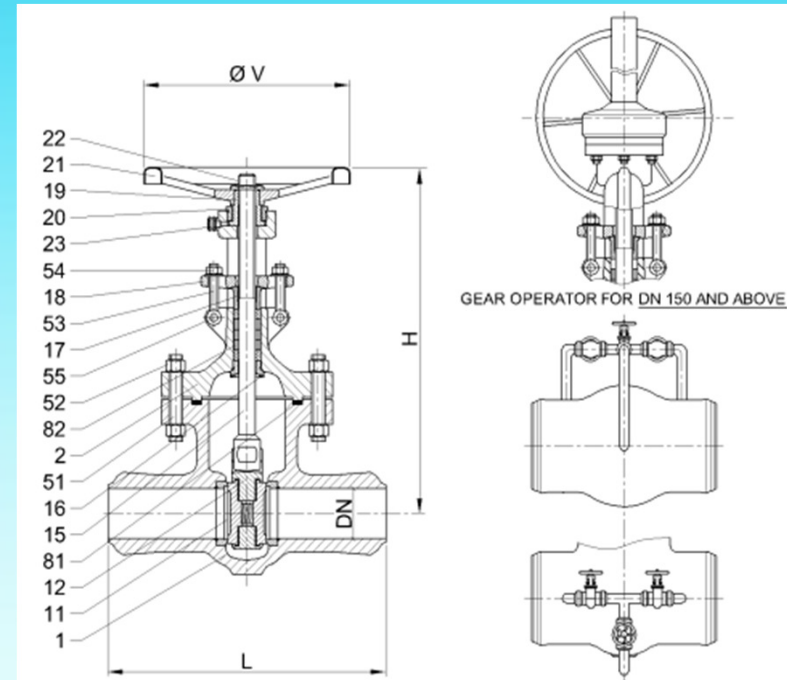
*euro-flow*



# Reference: Tihange

**Electrabel**  
GDF SVEZ

Project: Nuclear Power Station  
Tihange  
Application: Steam, Zone 2  
Material: A216WCB  
Size: 10"  
Types: Parallel slide Gate Valve  
Class: Class 900



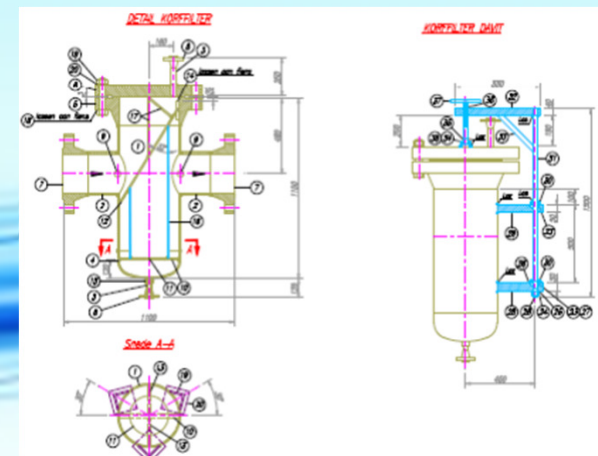
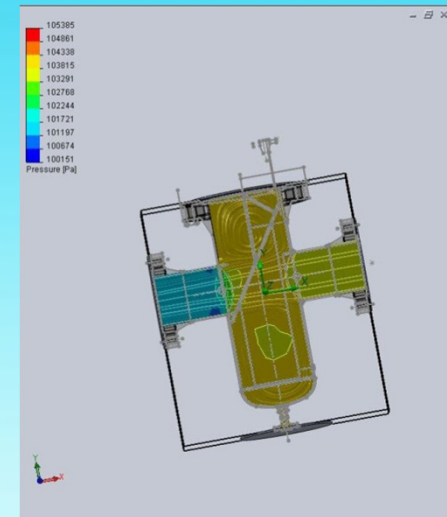
*euro-flow*

# Reference: NATO



**B P O**  
Belgian Pipeline Organisation

Project: Upgrade valve manifold  
Application: Nato Pipeline  
Spec.: Belgian Gaslaw & PED  
Material: A105N  
Sizes: 2" to 12"  
Types: Trunnion mounted Ball valves  
Taylor Made Basket Filter  
P/V Vent with Flame arrestor  
Volumetric Pump Unit  
...  
Class: 600



*euro-flow*

# Reference: VFT



Project: PA B366  
Application: Tank Outlet Valve  
Nicolini Italy  
Material: CF8M  
Size: DN 100  
Types: Ram Bottom Outlet  
with heating jacket  
PN: 16



# Reference: KVC



Project: DL 2012/75  
Application: Pig Launcher Receiver  
Kempe Germany  
Material: A350LF2  
Size: 10"  
Types: ENRIEMAT  
Quick Opening Closure  
Class: 600



# Reference: EDF



Project: Centrale Ham  
Application: Extended stem adaptation  
for platform operation  
&  
supply off several valves for  
steam, condensate  
Material: Carbon Steel  
Size: 2"/DN50 to 12"/DN300  
Types: Gate Valve  
Class: PN40/Class 600





**LANXESS**  
Energizing Chemistry



**TOTAL**



**+32 3 289 50 01**

[info@euro-flow.com](mailto:info@euro-flow.com)  
[www.euro-flow.com](http://www.euro-flow.com)



**Euro-Flow - Lodevleeshouwerslaan 51 - 2900 Schoten - BELGIUM**

